

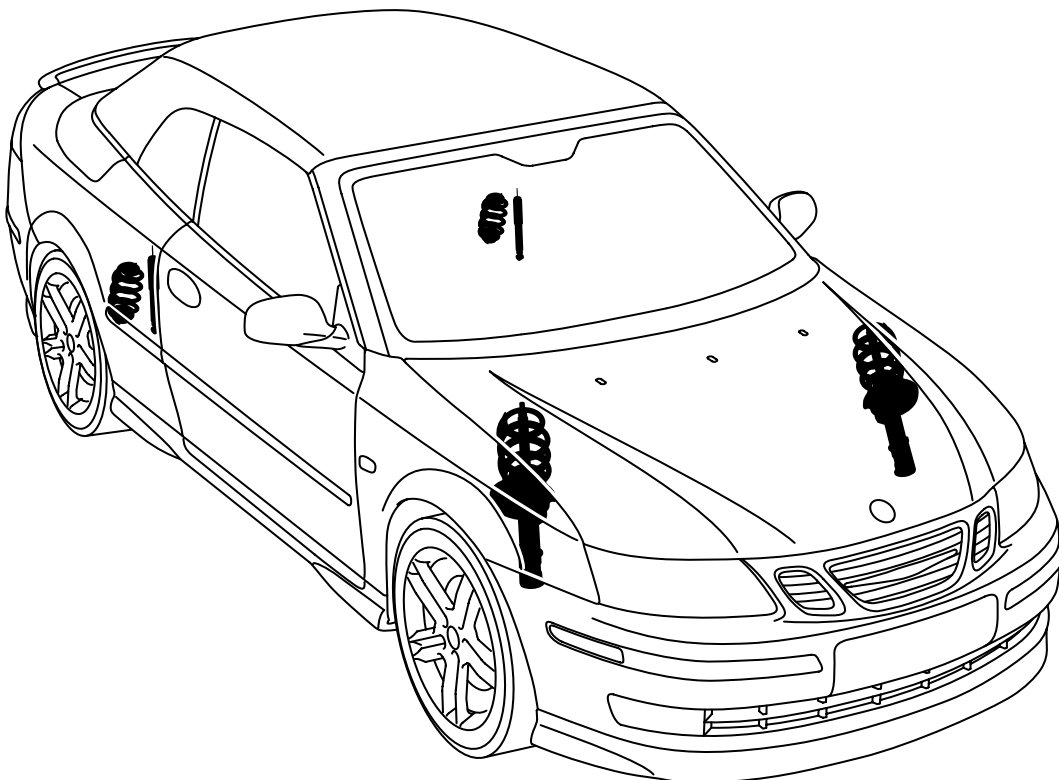


**MONTERINGSANVISNING · INSTALLATION INSTRUCTIONS
MONTAGEANLEITUNG · INSTRUCTIONS DE MONTAGE**

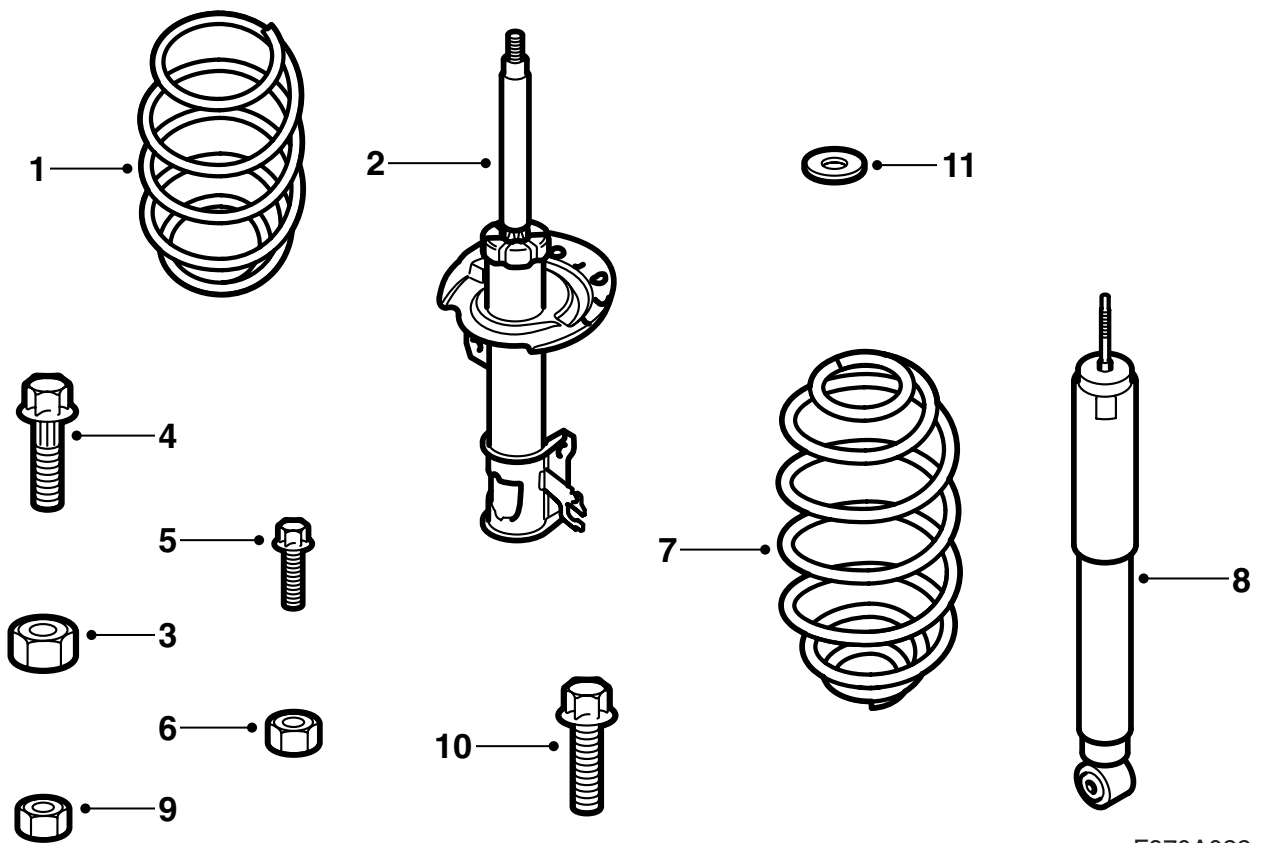
Saab 9-3 CV M04-, 4D/5D M06-

Sports chassis

Accessories Part No.	Group	Date	Instruction Part No.	Replaces
55 25 472	9:76-06	May 05	12 803 216	12 803 216 Apr 04
55 25 480				
55 25 498				
55 25 506				
55 25 514				
55 25 522				
55 25 530				
55 25 548				
55 25 555				
55 25 563				
55 25 571				
55 25 589				
55 25 597				
55 25 605				
55 25 613				
55 25 621				
12 803 088				
12 803 089				
32 000 525				
32 000 526				



F970A021

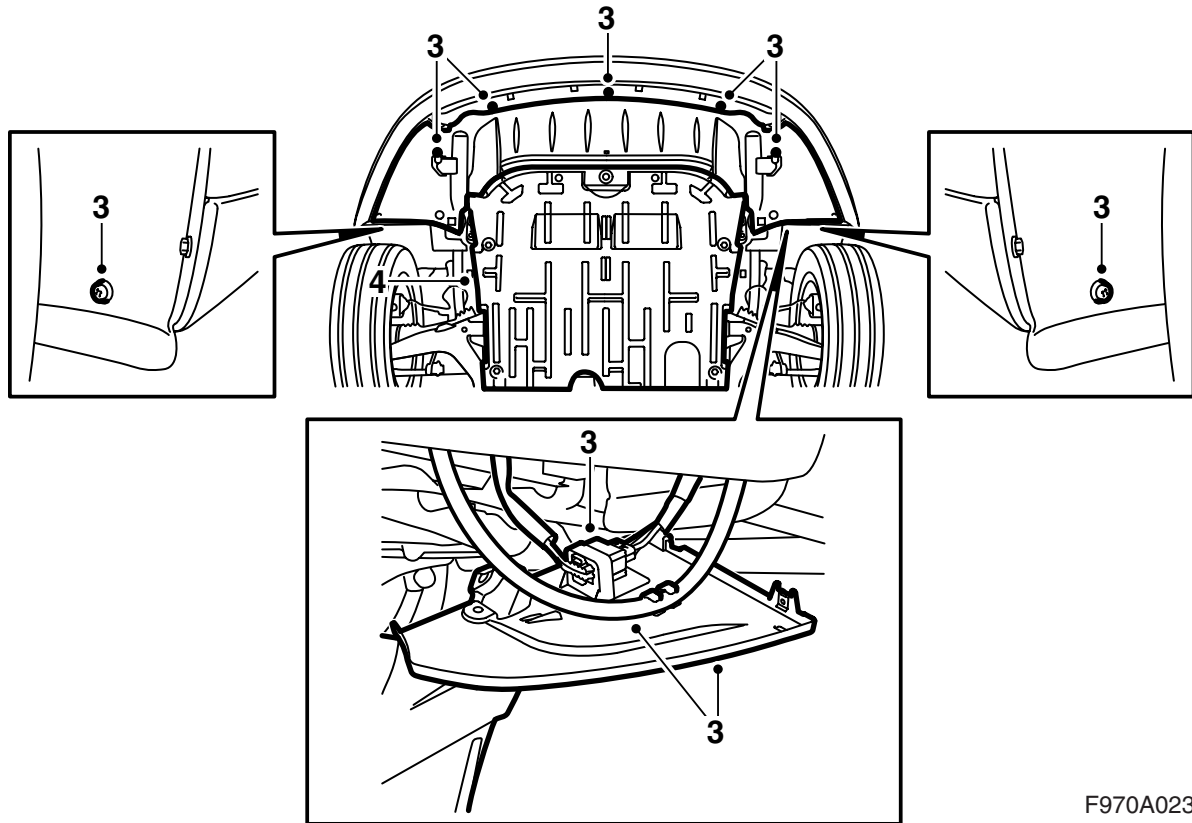


F970A022

- 1 Spring, front (x2)
- 2 MacPherson strut, front (x2)
- 3 Lock nut, front (x2)
- 4 Splined bolt (x4)
- 5 Screw (x6)
- 6 Nut (x6)
- 7 Spring, rear (x2)
- 8 Shock absorber, rear (x2)
- 9 Nut (x2)
- 10 Screw (x2)
- 11 Washer (x4)

Contents

- Preparations, page 3
- Front, page 4
- Rear, page 8
- Finishing steps, page 16
- After fitting the sports chassis, page 17

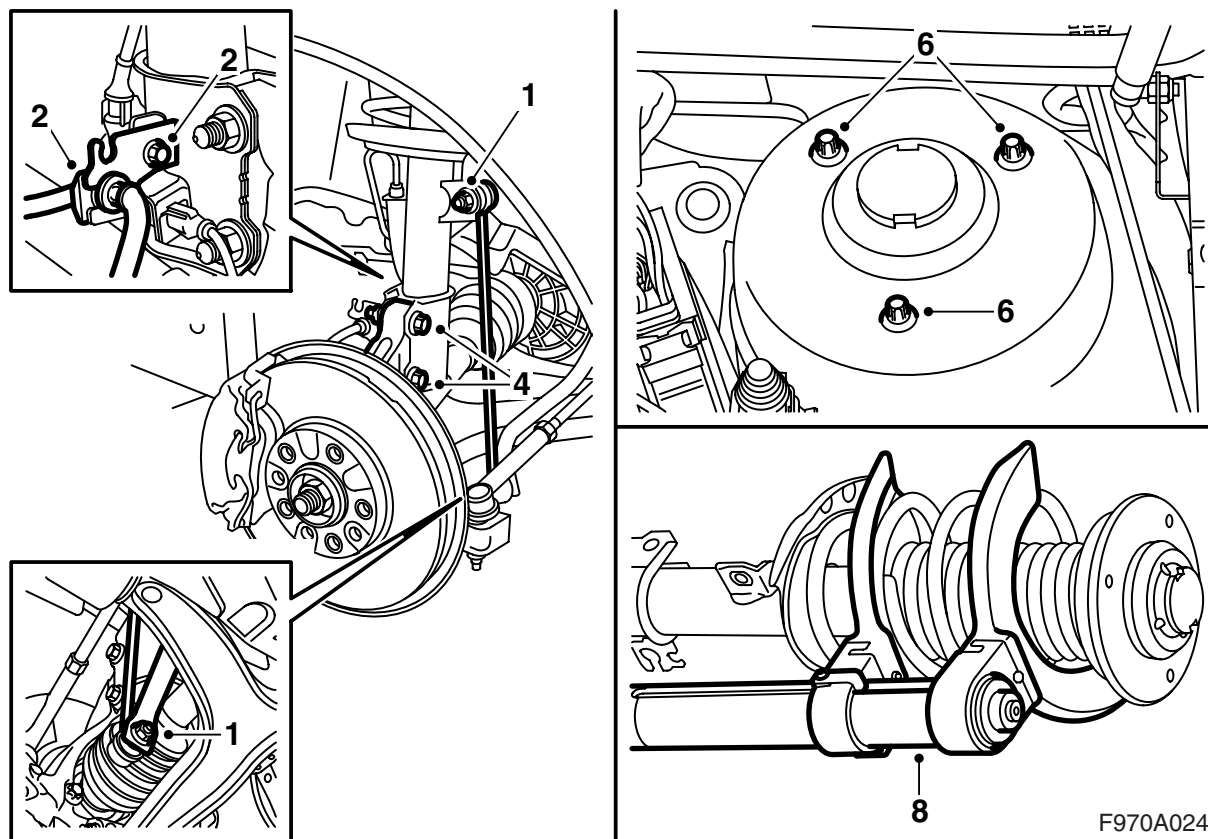


F970A023

Preparations

- 1 Raise the car.
- 2 Remove all the wheels.
- 3 Remove the spoiler shield, unplug the bumper connector and remove it from the holder on the spoiler shield.

Cars with headlamp washers: Unhook the hose from the spoiler shield.



F970A024

Front

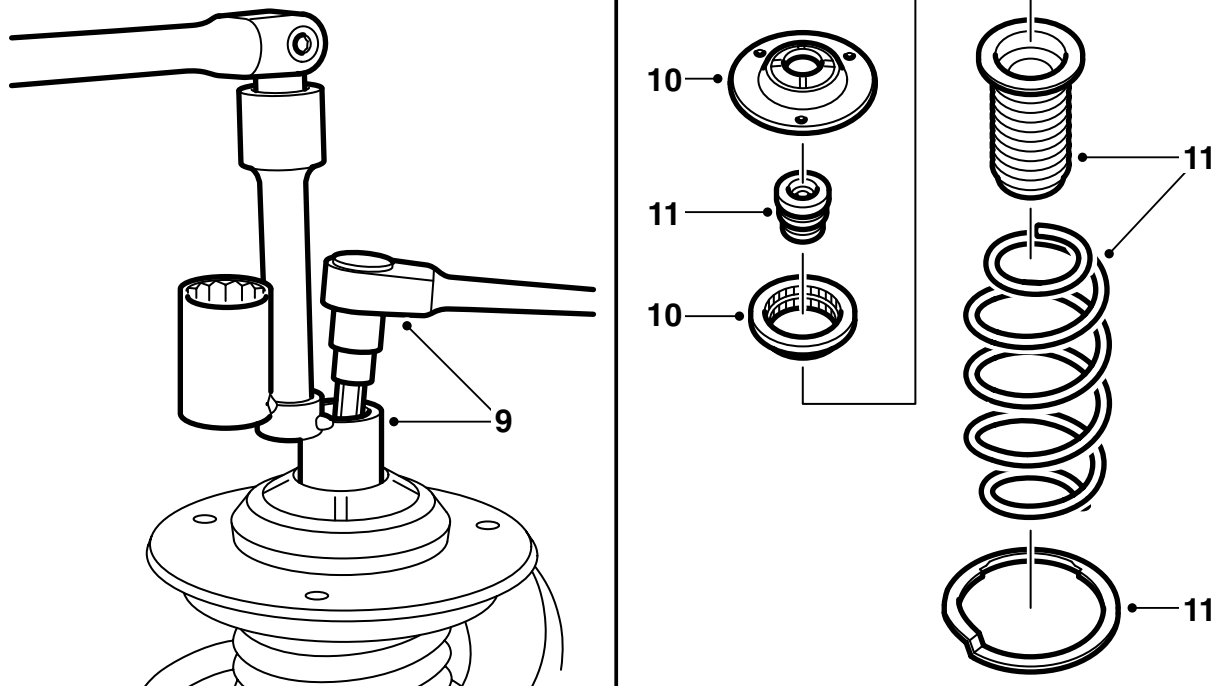
In certain cases the description applies to only one side but the work must be carried out on both sides.

- 1 Remove the anti-roll bar link from the left-hand side of the car. Use a 17 mm open ended spanner.
- 2 Remove the holder for the wheel sensor connector and the clip for the brake hose. Hook the hose aside.
- 3 Support the steering swivel member with a jack. Let the jack remain in place throughout the procedure.
- 4 Disconnect the steering swivel member from the MacPherson strut. Use a spanner to stop the bolt from rotating.
- 5 Lower the steering swivel member.
- 6 Remove the bolts from the MacPherson strut upper mounting.
- 7 Lift away the MacPherson strut and grip it in a vice.

Important

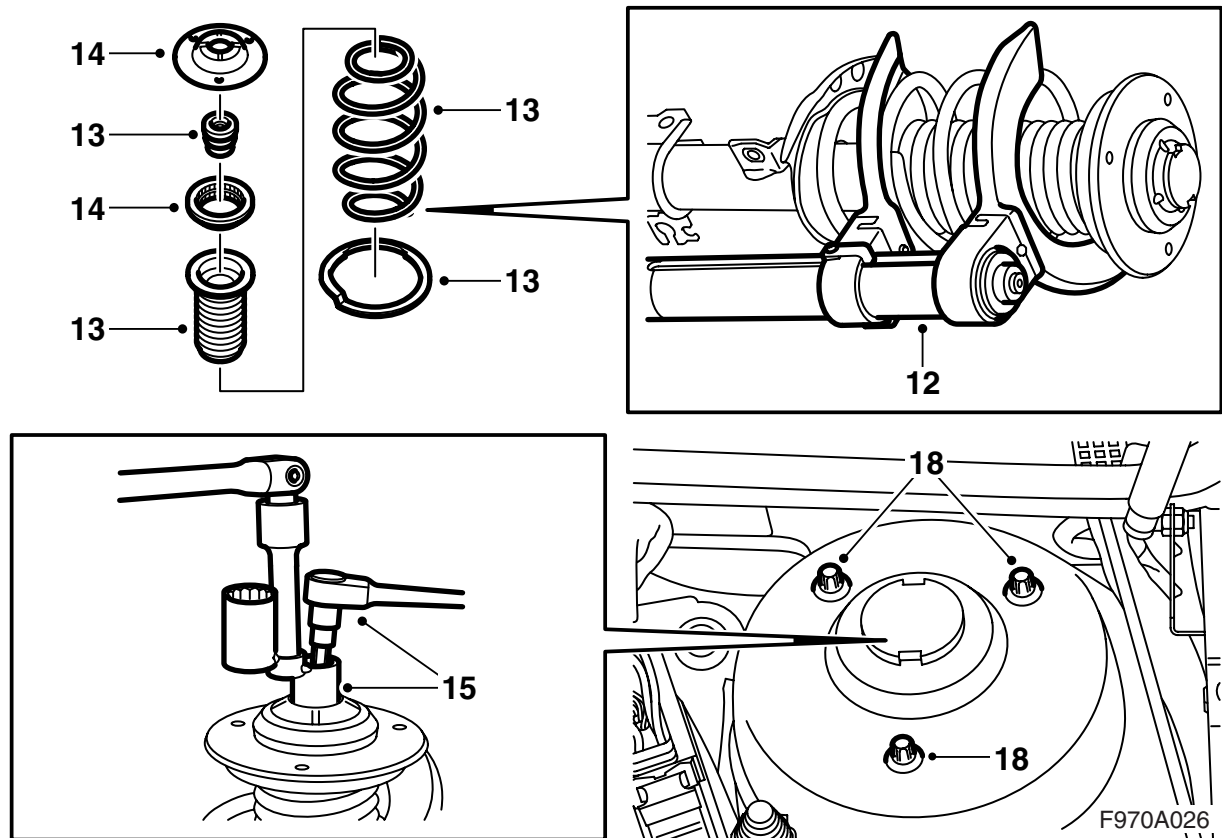
Do not grip too tightly.

- 8 Compress the spring with the 88 18 791 Spring compressor.



F970A025

- 9 Remove the protective cover from the top of the MacPherson strut. Stop the piston rod from turning and remove the nut using the 89 96 613 Socket, MacPherson strut.
- 10 Remove the bearing support and the support bearing.
- 11 Remove the dust excluder, spring, bump stop and the zinc washer.



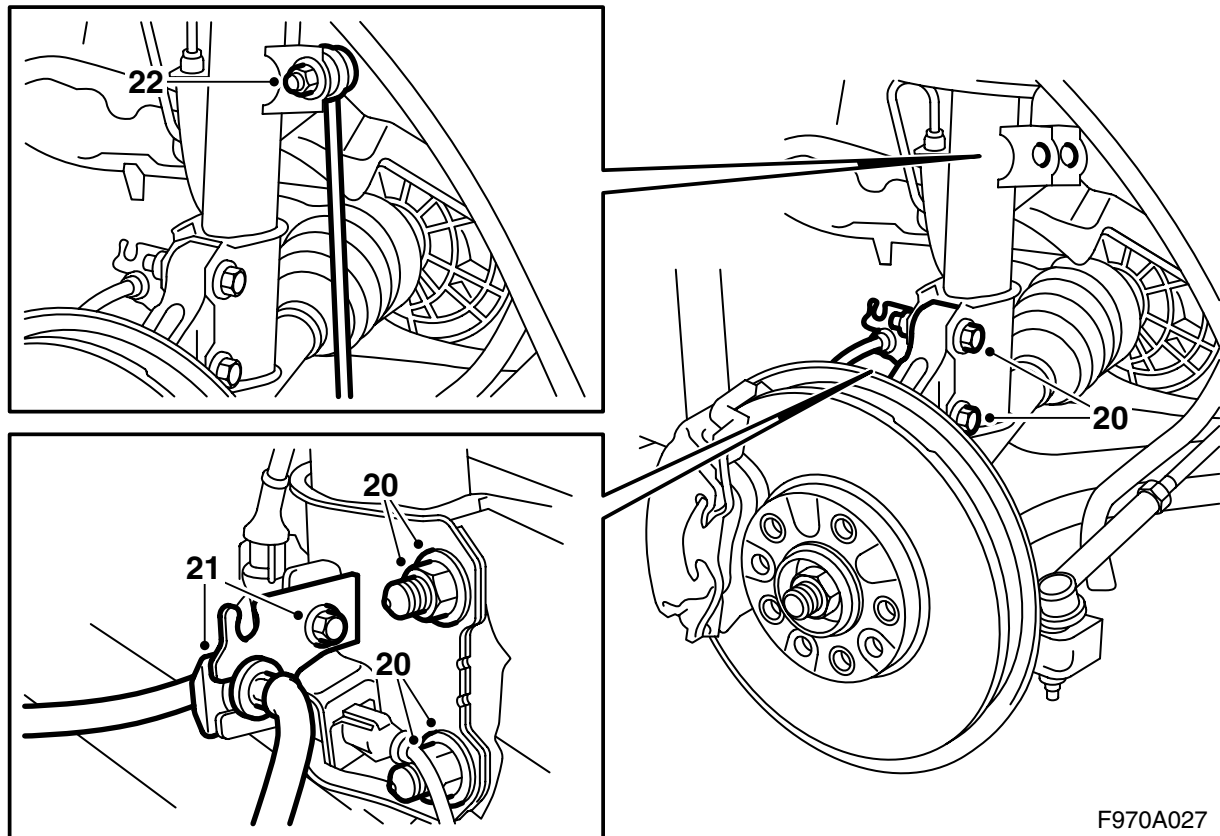
- 12 Compress the new spring with the 88 18 791 Spring compressor.
- 13 Assemble the zinc washer, bump stop, spring and the dust excluder.
Make sure that the spring's lower end lies against the stop lug in the lower spring seat.
- 14 Fit the support bearing and the bearing support.
- 15 Fit a new nut.
Tightening torque 105 Nm (78 lbf ft)
- 16 Fit the protective cover.
- 17 Release the spring compressor and adjust the dust excluder so that it fits over the end of the shock absorber.
- 18 Position the MacPherson strut in place on the car and fit new bolts to the upper mounting.

Note

The mounting holes are not positioned symmetrically.

- 19 Tighten the bolts by hand to begin with and thereafter with a torque wrench to the correct torque.

Tightening torque 19 Nm (14 lbf ft)



F970A027

- 20 Raise the steering swivel member and push into place on the MacPherson strut. Fasten the steering swivel member to the MacPherson strut with new bolts, nuts and washers (the washers must be fitted on the same side as the nuts). Stop the bolt from turning with a spanner.

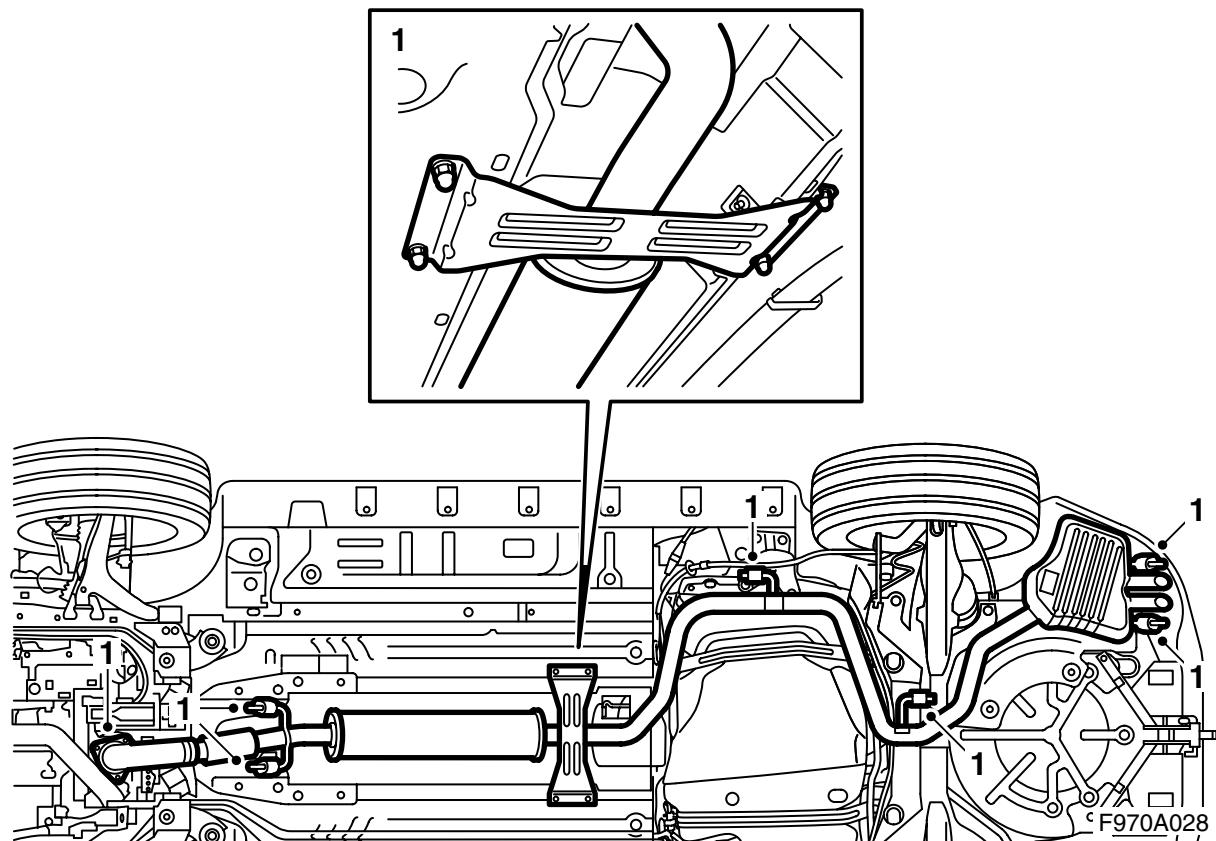
**Tightening torque 80 Nm +135°
(59 lbf ft +135°)**

Lower and remove the jack.

- 21 Fit the mounting for the wheel sensor cable and fit the brake hose and clip.
- 22 Fit the anti-roll bar links on both sides. Use a thin 17 mm open ended spanner.

Tightening torque 64 Nm (47 lbf ft)

- 23 Repeat steps 1-22 on the right-hand side of the car.



Rear

In certain cases the description applies to only one side but the work must be carried out on both sides.

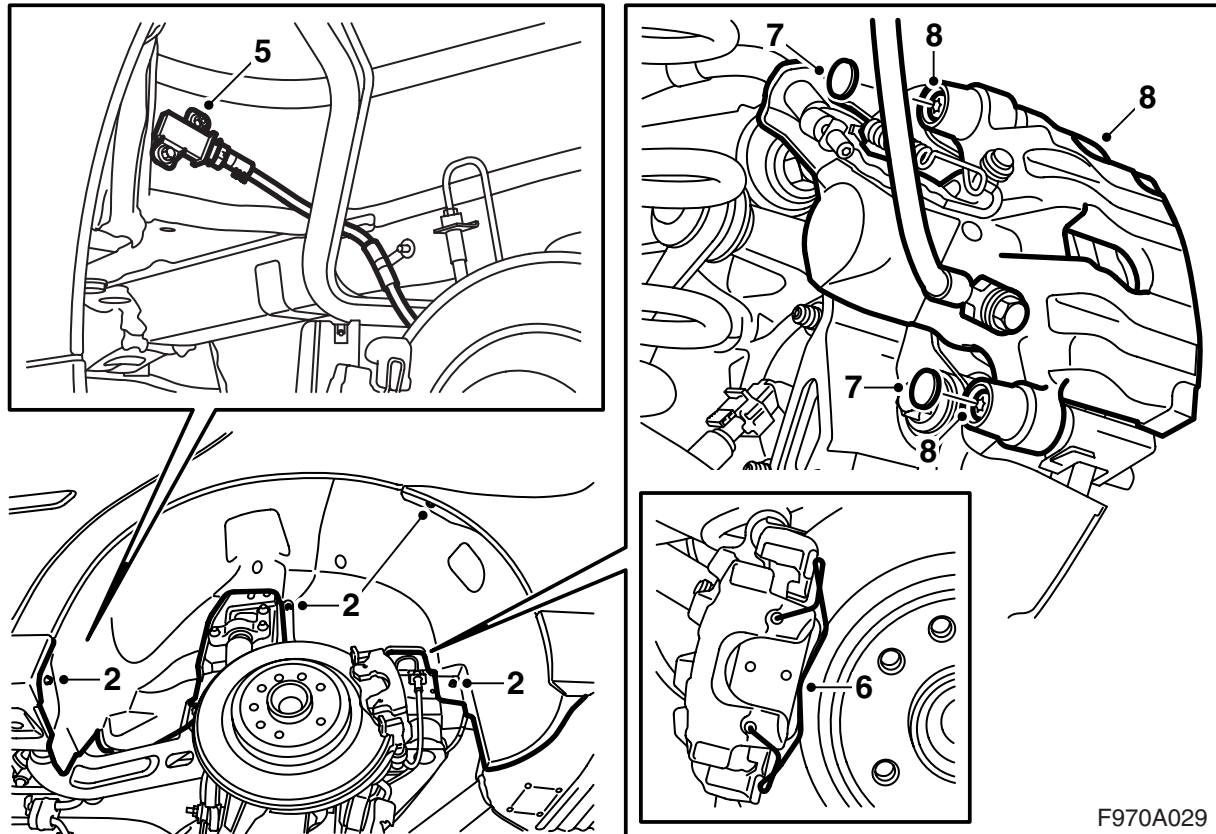
- 1 Raise the car and remove the exhaust system.

CV: Remove the tunnel reinforcement.

Important

The flexible dust excluder on the forward section of the exhaust system must not be bent more than 5° from its neutral alignment.

Excessive loading of the pipe can lead to residual deformations in the components which can cause noise, leakage and eventually failure.



F970A029

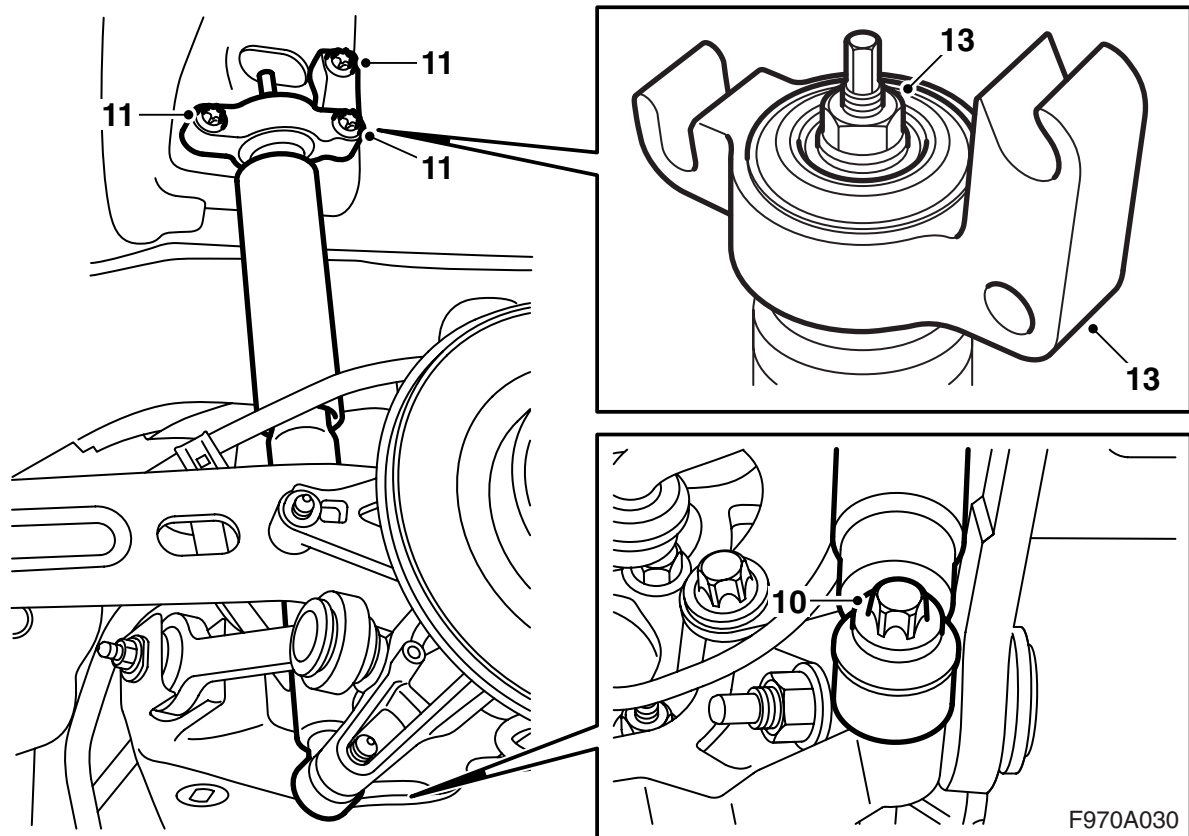
- 2 **TPM:** Remove the screws and nuts which fasten the rear wing liners.
- 3 **TPM:** Detach both wing liners from the studs.
- 4 **TPM:** Free the wing liners from the wheel arch rim starting at the rear and working forwards. Lift away the wing liners.
- 5 **TPM:** Remove the connector from the signal detector, the clips from the wheel housing and fold down the cable harness on both sides.
- 6 Remove the spring from the brake caliper.
- 7 Remove the protective covers.
- 8 Detach the brake caliper and hang it up with a hook from the brake pipe mounting.

Important

Be careful so that the brake pipe is not damaged.

Remove the outer brake pads.

- 9 Detach the brake caliper on the other side.



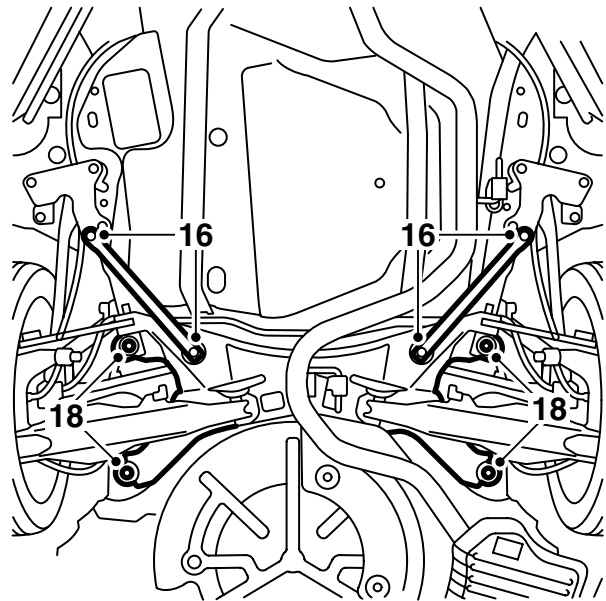
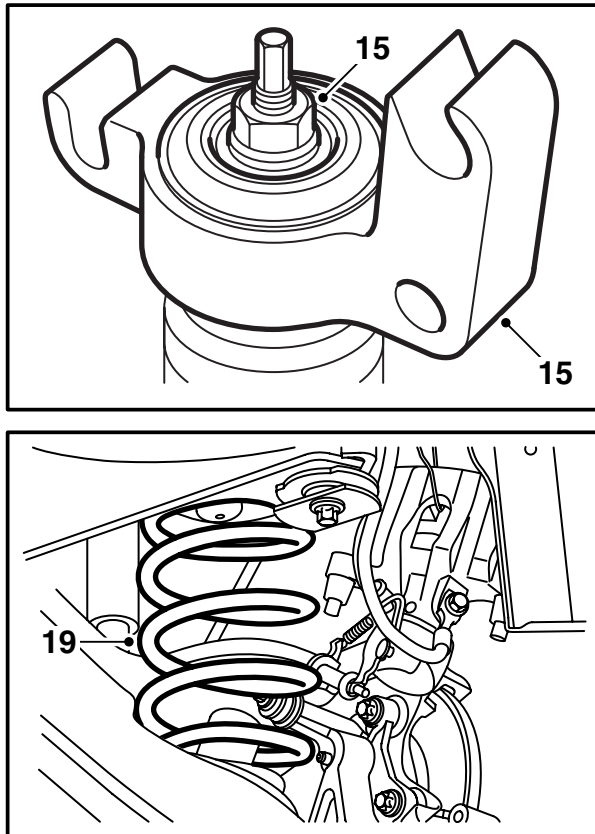
- 10 Remove the bolt which attaches the shock absorber to the steering swivel member.
- 11 Detach the shock absorber bracket from the body.

Note

The forward and upper bracket bolts only need to be loosened as they locate in open slots in the bracket.

Lift away the shock absorber.

- 12 Remove the shock absorber on the other side.
- 13 Remove the bracket from the shock absorber.
- 14 Transfer the washers to the new shock absorbers.



F970A031

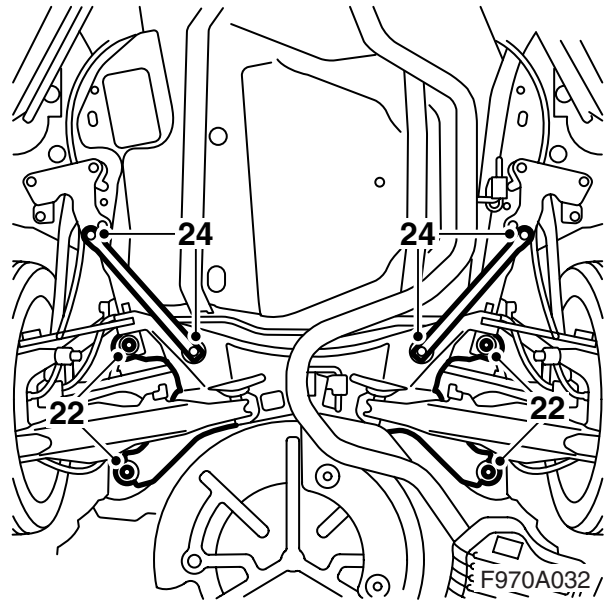
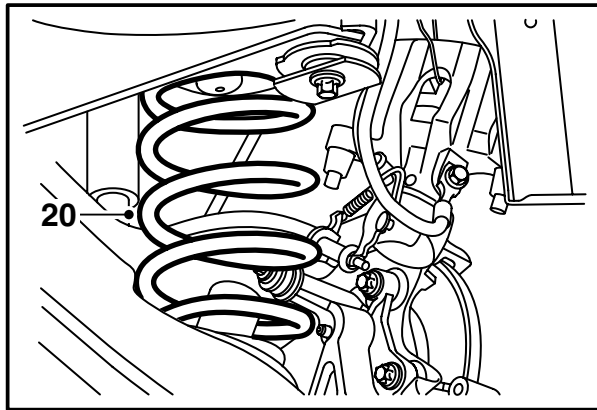
15 Fit the brackets to each of the shock absorbers with new nuts.

Tightening torque 27 Nm (20 lbf ft)

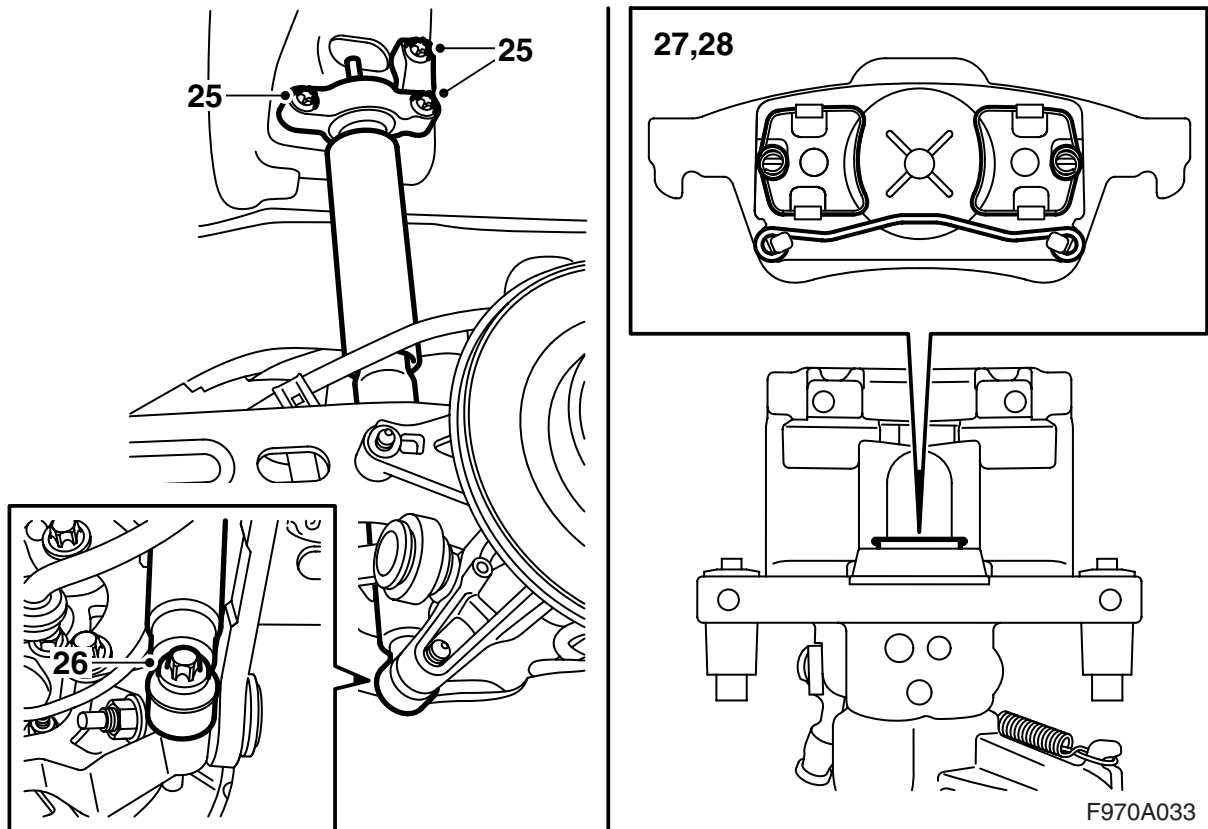
- 16 **CV:** Remove the rear chassis reinforcements.
17 Place a pillar jack centrally under the subframe.
18 Unscrew the subframe bolts from the body.
19 Lower the subframe and lift away the springs.

Important

The subframe must not be lowered more than 200 mm at the rear edge.



- 20 Fit the spring supports onto the springs. Place the springs on the lower suspension arms.
- 21 Raise the subframe. Push the subframe slightly forwards.
- 22 Attach the subframe to the body.
**Tightening torque 75 Nm +135°
(55 lbf ft +135°)**
- 23 Remove the jack.
- 24 **CV:** Fit the rear chassis reinforcements.
Tightening torque 110 Nm (81 lbf ft)



25 Attach the shock absorber brackets to the body.

Tightening torque 53 Nm (39 lbf ft)

26 Attach the shock absorbers to the steering swivel members with new bolts.

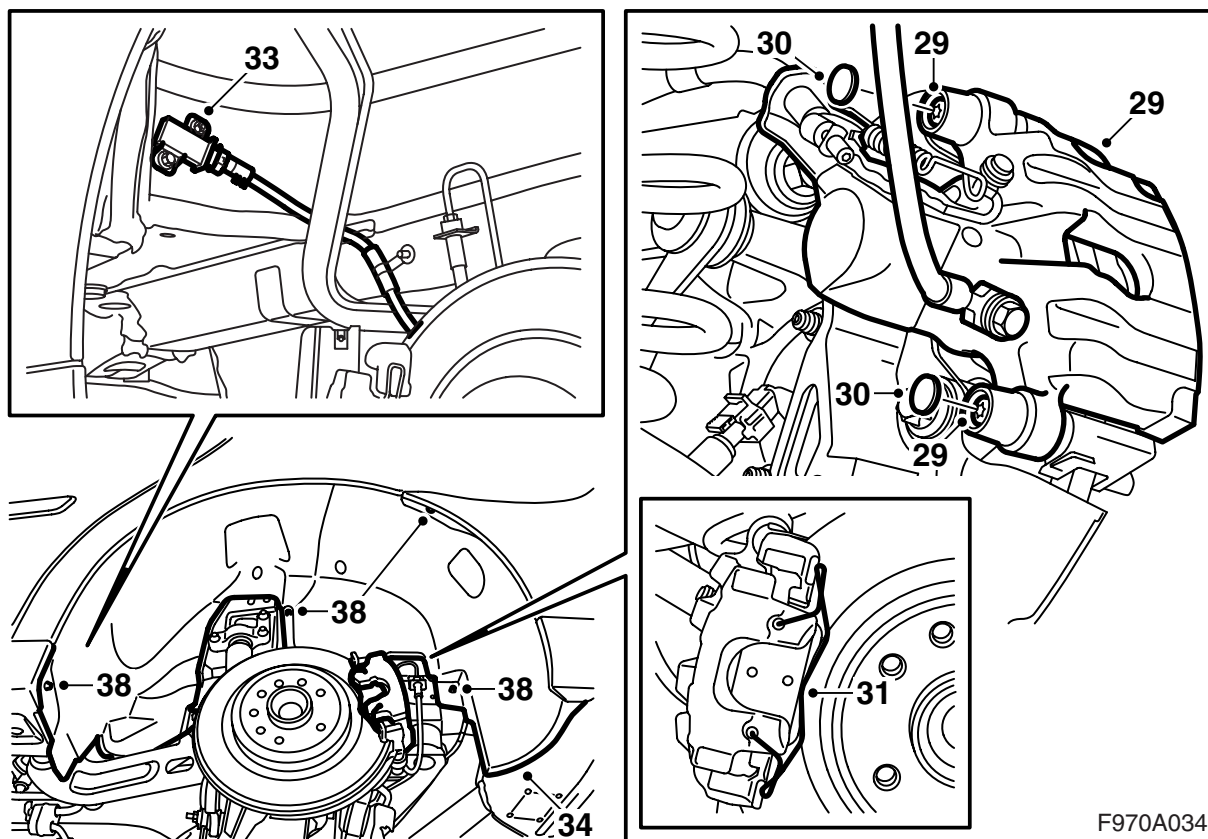
Tightening torque 150 Nm (111 lbf ft)

27 Remove the inner brake pads and press in the brake pistons using the Resetting tool 89 96 969 together with Adapter 89 96 977.

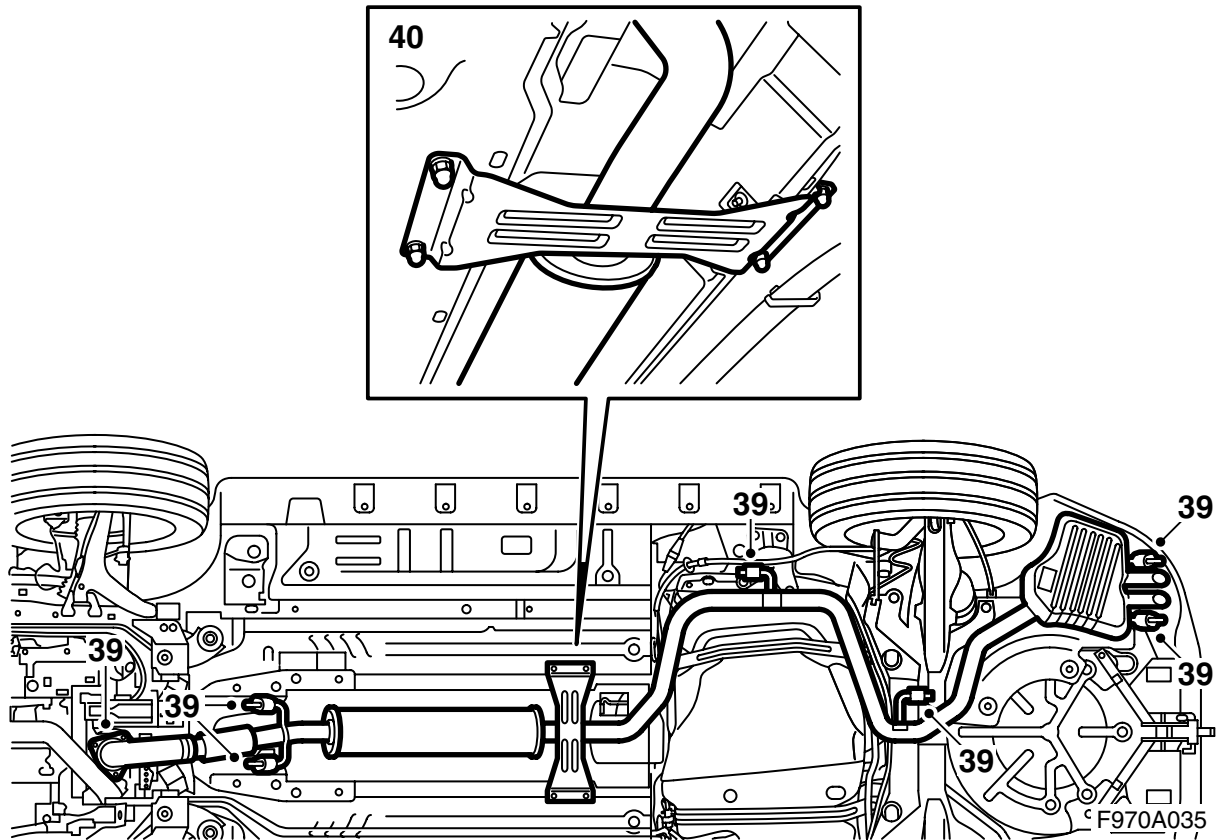
28 Fit the brake pads.

Important

Ensure that the springs on the inner pad locate in the groove on the cylinder.



- 29 Fit the brake caliper.
Tightening torque 28 Nm (21 lbf ft)
- 30 Fit the protective covers.
- 31 Fit the spring.
- 32 Repeat steps 27-31 on the other side.
- 33 **TPM:** Plug in the connector to the signal detector and push the clip firmly in place.
- 34 **TPM:** Angle each wing liner into position. Manoeuvre the lower edges in against the wheel arch.
- 35 **TPM:** Guide each liner onto the upper stud and then onto the remaining studs.
- 36 **TPM:** Fit each wing liner in against the wheel arch rim and the bumper cover. The wing liner should be located behind the bumper cover.
- 37 **TPM:** Check that the wing liners are correctly fitted.
- 38 **TPM:** Fit all the screws and nuts.



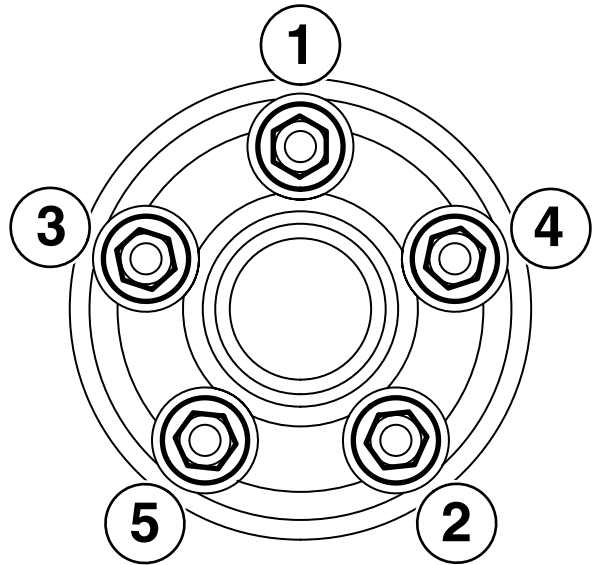
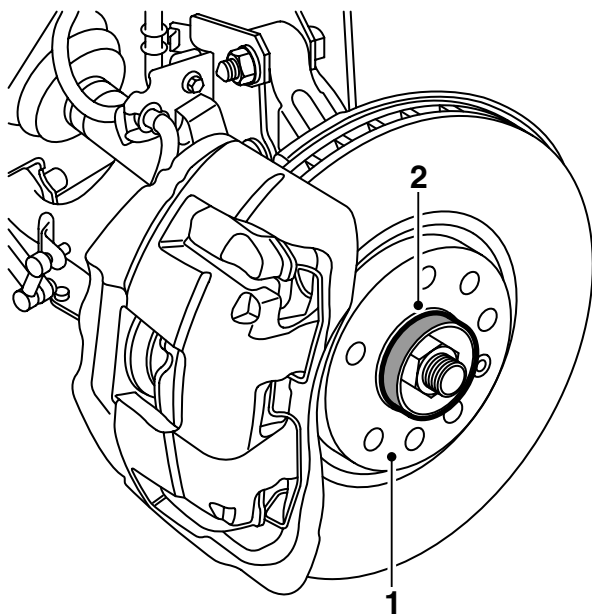
39 Fit the exhaust system.

Important

The flexible dust excluder on the forward section of the exhaust system must not be bent more than 5° from its neutral alignment.

Excessive loading of the pipe can lead to residual deformations in the components which can cause noise, leakage and eventually failure.

40 **CV:** Fit the tunnel reinforcement.



F970A036

Finishing steps

- 1 Clean all dirt and rust from the contact surfaces of the wheel and brake disc.
- 2 Brush White high-pressure grease paste 30 06 442 onto the hub.

Important

Make sure that no grease gets onto the contact surfaces of the wheel and brake disc.

- 3 Hang the wheels in position.
Fit the bolts and screw them in by hand, progressively and sequentially, so that the wheel is centred.
- 4 Tighten the bolts in sequence twice.

Important

When tightening the wheel bolts the wheel must be hanging freely.

Tightening torque 110 Nm (81 lbf ft)

- 5 Lift up the spoiler shield, fit the bumper connector into the holder and plug in the connector.
Cars with headlamp washers: Hook the hose to the spoiler shield.
All: Fit the spoiler shield.
- 6 Lower the car.
- 7 Push down on the brake pedal a few times to activate the brake pistons and the handbrake self-adjustment.

- 8 **Cars with headlamp washers:** Check the function of the headlamp washers.

Important

After fitting is completed a 4-wheel alignment check must be carried out.

After fitting the sports chassis:

- 1 Carry out a 4-wheel alignment check and adjust if necessary. (See WIS 6. Steering assembly - Steering linkage - Adjustment, replacement - Four wheel alignment.)
- 2 **Cars with conventional headlights:** Check headlight alignment and adjust if necessary.
Cars with xenon headlights: Calibrate AHL as follows:
 - The car must be standing level.
 - The car must be unladen.
 - Rock the car to ensure that all dampers are freed up.
 - The handbrake must be released.
 - The xenon headlights must be on.
 - Connect the diagnostic tool and calibrate both AHL control modules. Check the function of the headlights and erase any DTCs.
 - Check headlight alignment and adjust if necessary.